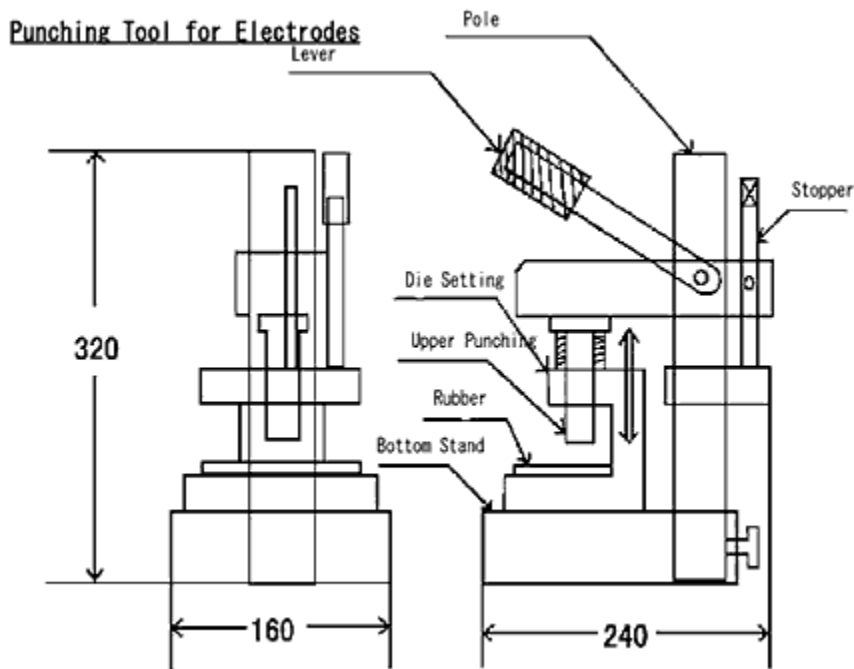


All technical data presented represent typical results, unless stated otherwise as min/max values. No guarantee is made that material will meet exactly the values shown.

## Manual Punching Tool for Electrodes, Model HOPTE

Hand-operated Punching Tool for Electrodes This tool is used for punching electrodes precisely to a desirable size for electrochemical research with HS Test Cells or various coin cells. Positive and negative electrodes are punched as 15.958 and 16.156 respectively with accuracy. Sizes can be altered upon requests. We can accommodate various specifications such as replacing the aluminum material to stainless steel, chrome plated, or resin coated (currently PTFE). The internal spring pressure can also be changed. Please inquire for the details.

Specifications	
Size:	160W x 240L x 320H mm.
Weight:	About 5.5 kg.





**Application:** Advanced energy

**Product type:** Hand tools, Punches

**Production scale:** Lab

**Search tags:** Hohsen, Manual too, Electrode/separator punch