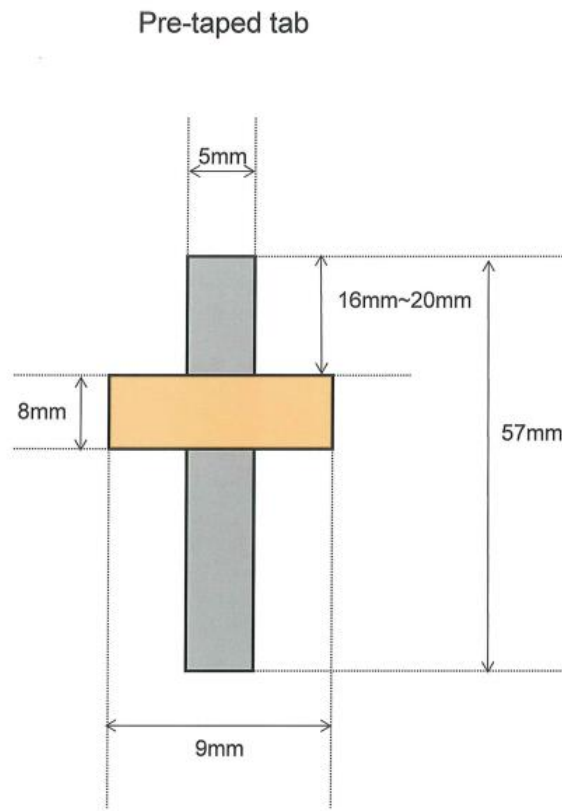


All technical data presented represent typical results, unless stated otherwise as min/max values. No guarantee is made that material will meet exactly the values shown.

Copper, Aluminum, and Nickel Pre-taped Tabs (other metals available)

* Sizes are subject to change.

* We can also supply pre-taped or other tabs according to your drawings and quantities, subject to minimum order quantities. Different metals are available.



Al, Ni-plated Cu. Ni: 0.1mmT
Sealant: PPaN

*Sizes are subject to change

Application: Advanced energy
Product type: Consumables, Components
Production scale: Lab, Pilot, Commercial
Search tags: Hohsen, Components